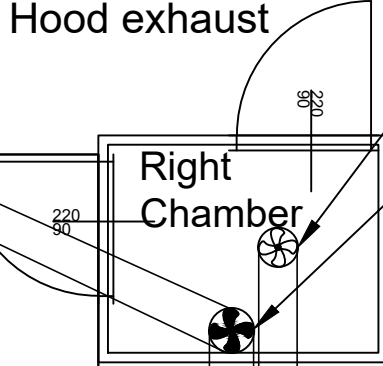
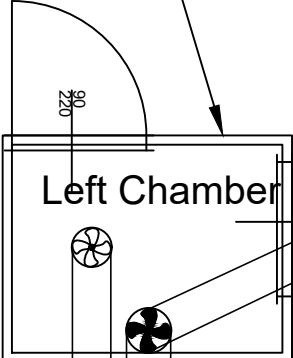


Glass window

153 260 153



Chamber exhaust

Hood exhaust

Cooled Air Distributor

120  
140

Oven

2,2kW

Hood

120  
250

Grid on wall

